

RoHS Compliant  
EU 2002/95/EC  
HSC

# SPECIFICATION

**P/N:**

<b>Issued By:</b>	<b>Checked By:</b>	<b>Approved By:</b>
-------------------	--------------------	---------------------

深圳市鸿胜晶电子有限公司

Shenzhen Haosen Crystal Electronics Co. Ltd.

Tel: 0755-33079336

Fax: 0755-33079337

E-mail: [sales@haosenxtal.com](mailto:sales@haosenxtal.com)

URL: [Http://www.haosenxtal.com](http://www.haosenxtal.com)

Add: Room 4029,Dongbian Business Building, Mizhi Avenue, Baoan district, Shenzhen, China 518131

# Quartz Crystal

## C1 Series HC-49/U DIP Type



### FEATURE

- I High Frequency Range
- I Resistance welded
- I The tight frequency stability

### ELECTRICAL SPECIFICATIONS

Nominal frequency:	1.8432MHz~110.00MHz
Operating Mode:	See below Table
Operating temperature range	-20°C--+70°C or -40°C~85°C
Storage temperature range	-40°C--+85°C
Frequency tolerance:	±30PPM 25±2°C Standard
Frequency stability	±50PPM -20~+70°C Standard
Load capacitance:	10 pF~ series
Equivalent series resistance (ESR)	See below Table
Parallel capacitance(Co):	7PF Max
Drive level	100 μW
Insulation resistance:	500MΩ AT DC100V

**Table:**

Frequency Range (MHz)	Operating Mode	Max ESR Ω
1.8432 ~ 2.000	Fundamental	750
2.000+ ~ 2.400	Fundamental	500
2.400+ ~ 3.000	Fundamental	300
3.000+ ~ 3.200	Fundamental	200
3.200+ ~ 3.700	Fundamental	120
3.700+ ~ 4.200	Fundamental	100
4.200+ ~ 4.900	Fundamental	70
4.900+ ~ 5.000	Fundamental	55
5.000+ ~ 6.000	Fundamental	50
6.000+ ~ 8.000	Fundamental	40
8.000+ ~ 10.000	Fundamental	35
10.000+ ~ 12.500	Fundamental	30
12.500+ ~ 16.000	Fundamental	25
16.000+ ~ 40.000	Fundamental	20
23.000+ ~ 75.000	3rd OT	40
60.000 ~ 110.000	5th OT	80

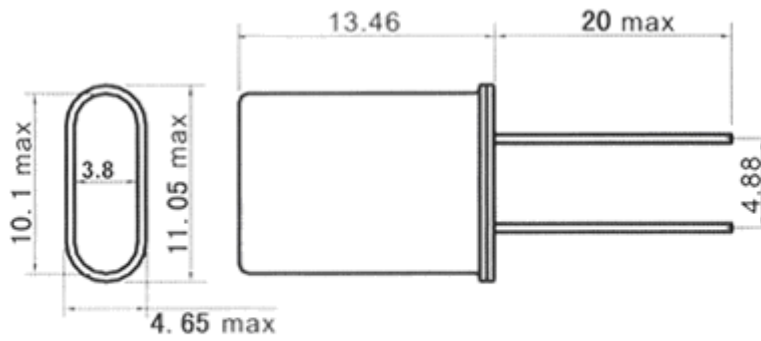
Add: Room 4029,Dongbian Business Building, Mizhi Avenue, Baoan district, Shenzhen, China 518131

# Quartz Crystal

C1 Series HC-49/U DIP Type



## Dimension



All Dimensions in mm